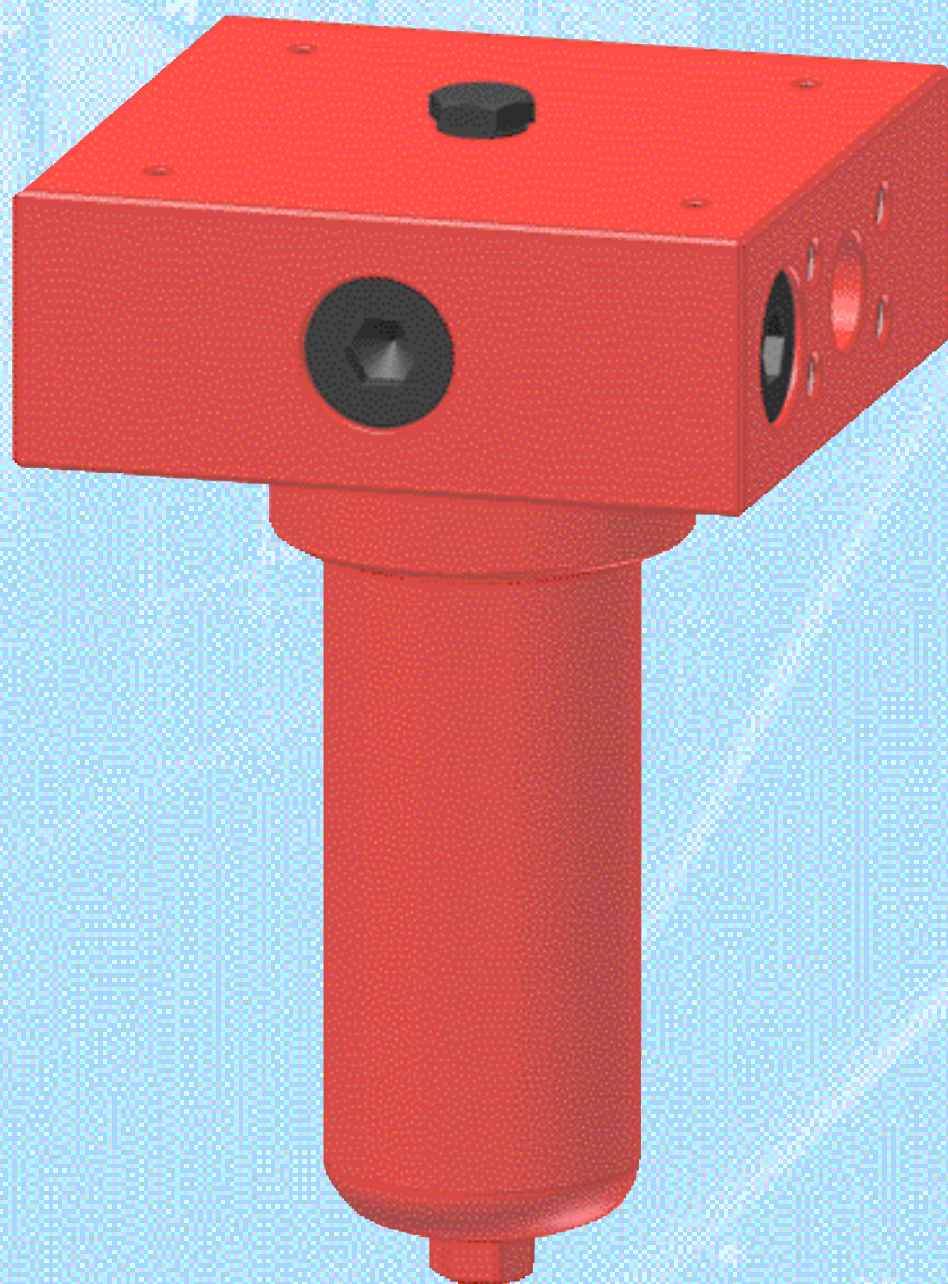


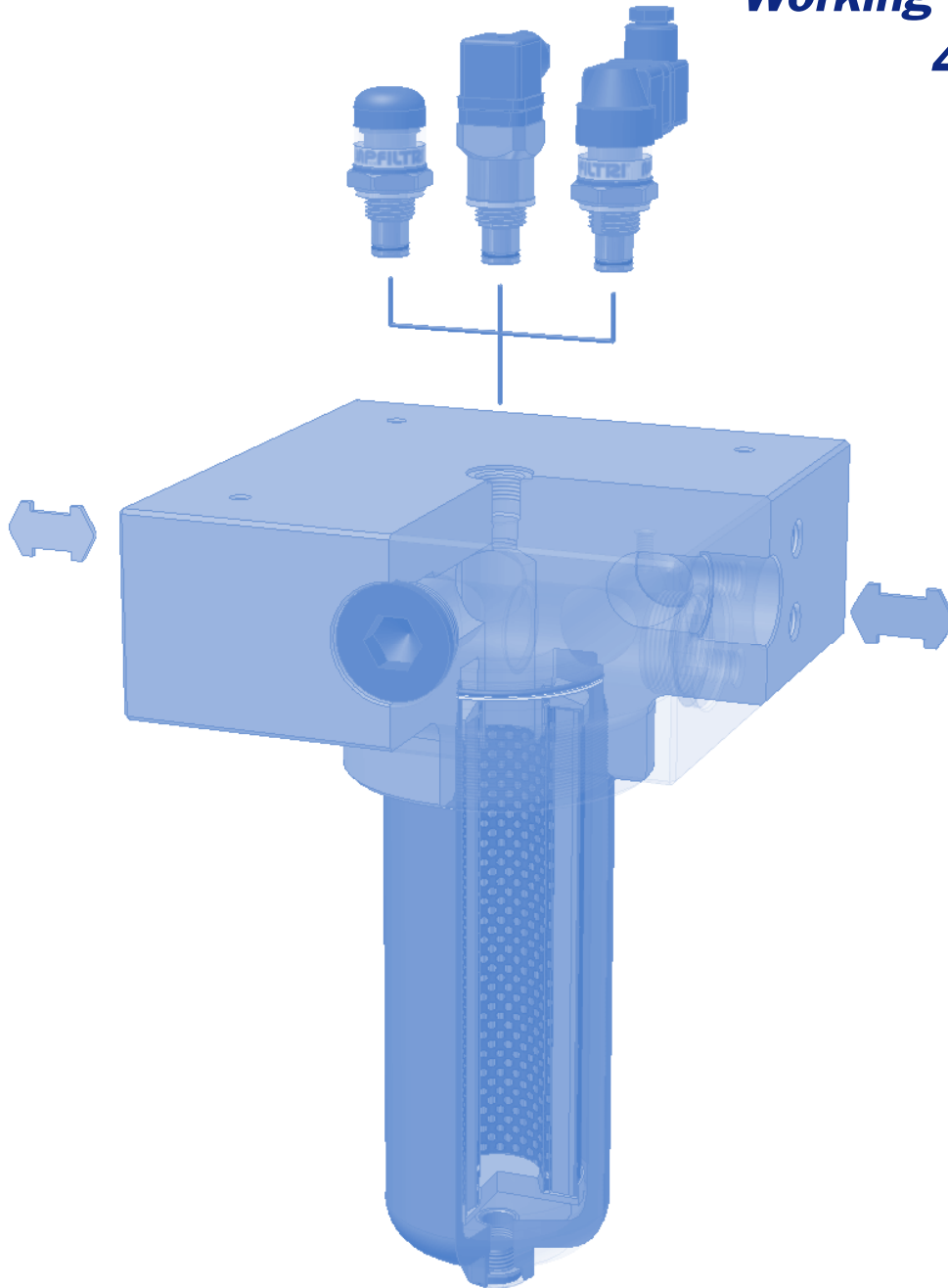
FHZ 320



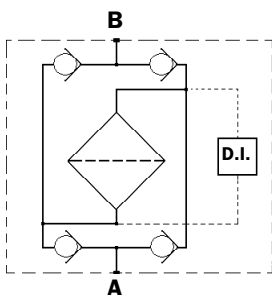
FHZ

SERIES 320

*Working pressure
420 bar*



Style Z



Technical data

Filter body (Materials)

- Head: Cast iron (chemical heat treatment)
- Housing: Steel (chemical heat treatment)
- Check valves: Steel

Pressure

- Maximum operating pressure: 420 bar (42 MPa)
- Test pressure: 630 bar (63 MPa)
- Burst pressure: 1250 bar (125 MPa)
- Pulsed pressure fatigue test 1,000,000 cycles with pressure from 0 to 420 bar (42 MPa)

Temperature

- From -25°C to +110°C

Elements type Δp

- Elements in microfibre series S : 210 bar
- Elements in stainless steel mesh series H : 210 bar
- Oil flow from exterior to interior.

Seals

- Standard Nitrile (NBR) series A
- Optional FPM series V

Weights without filter elements (kg)

Length	1	2	3	4
• FHZ320	37.5	40	44.5	50

Filter internal volumes (dm³)

Length	1	2	3	4
• FHZ320	2.54	3.25	4.03	4.95

Connections

In-line Inlet/Outlet
Panel Inlet/Outlet

Compatibility

- Bodies compatible with:
Mineral oils to ISO 2943 - aqueous emulsions
synthetic fluids, water/glycol.
- Filter elements compatible with:
Mineral oils to ISO 2943 - aqueous emulsions
synthetic fluids, water/glycol.
- Nitrile (NBR) seals series A, compatible with:
Mineral oils to ISO 2943 - aqueous emulsions
synthetic fluids, water/glycol.
- V series FPM seals, compatible with:
Synthetic fluids type HS-HFDR-HFDS-HFDU.

Filter Element Area

Filter element in stainless steel mesh
Length

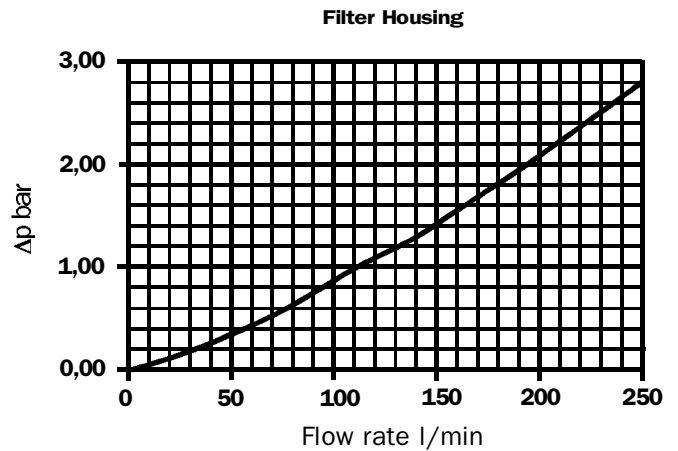
Type	1	2	3	4
HP320	1650	3645	5970	8280

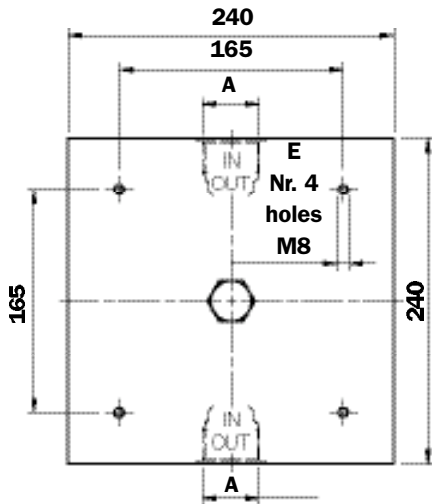
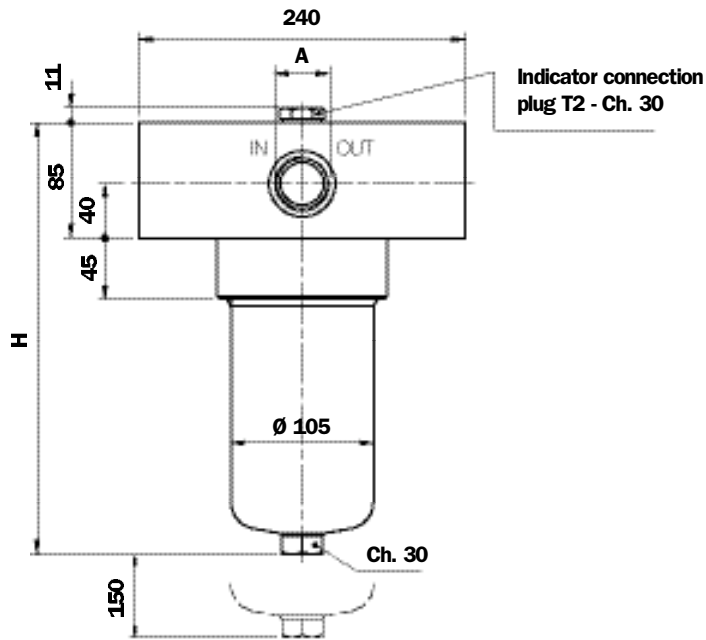
Values expressed in cm²

Pressure drops Δp Housing

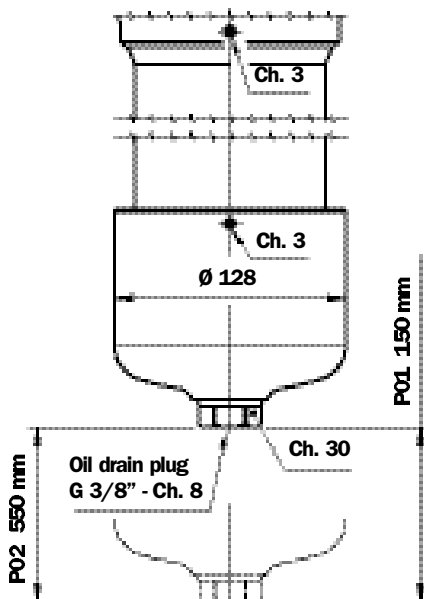
The curves are plotted using mineral oil with density of 0.86 kg/dm³ to ISO 3968.

Δp varies proportional with density.





Only for FHZ 320 length 4



Recommended maximum flow rate

- Pressure drop of complete filter equal to Δp 2.5 bar.
- Oil kinematic viscosity 30 mm²/s (cSt).
- Density 0.86 kg/dm³.

Filter element type	Flow rate l/min Series S	Filter Length
A03	115	1
A06	120	
A10	155	
A16	160	
A25	170	
T10	215	2
A03	160	
A06	170	
A10	192	
A16	195	
A25	208	3
T10	220	
A03	180	
A06	190	
A10	205	
A16	208	4
A25	215	
T10	220	
A03	190	
A06	195	
A10	210	4
A16	210	
A25	215	
T10	225	

A Flanged connection **E** Depth 15 mm

G 1 1/4"	M12
G 1 1/4" NPT	1/2" UNC
SAE 20 (1 5/8" - 12 UN)	1/2" UNC

A Flanged connection **E** Depth 15 mm

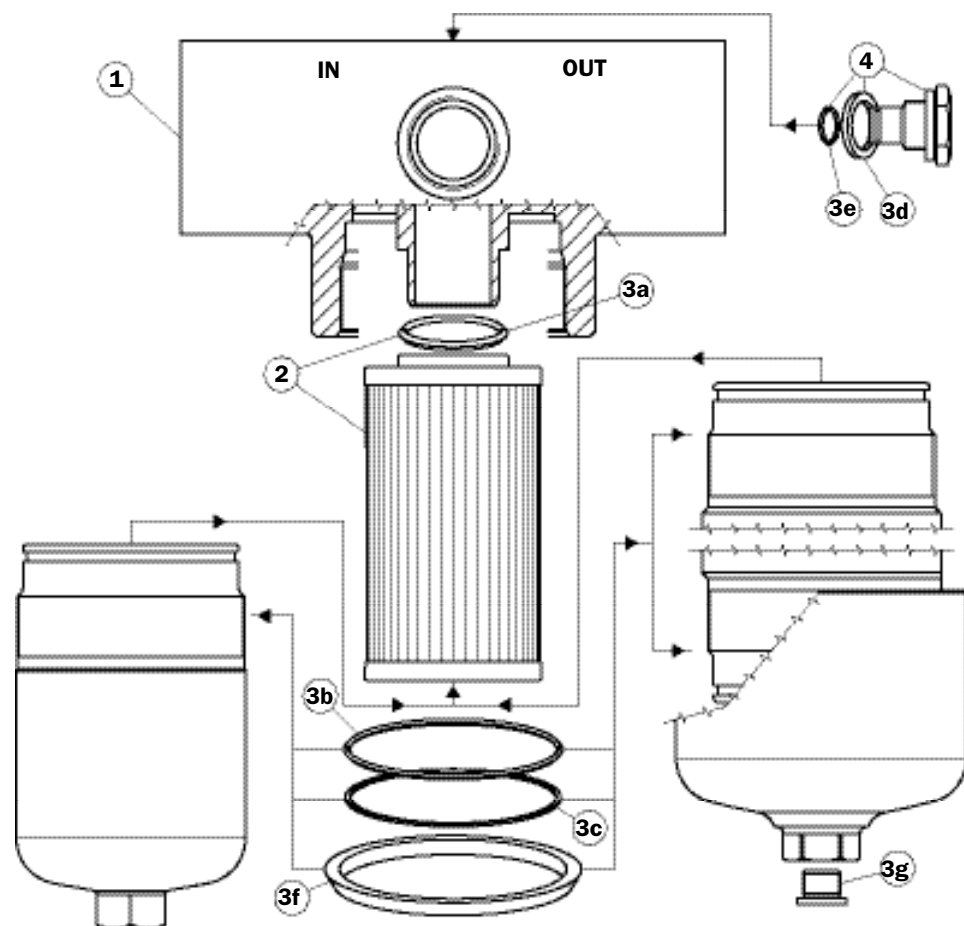
1 1/2" SAE 6000 psi/M	M12
1 1/2" SAE 6000 psi/UNC	1/2" UNC

Filter Length **H mm**

1	253
2	376
3	508
4	663

Style P01 standard maintenance from head.
Style P02 maintenance option from housing base.

Spare parts FHZ



Pos.	Description	Qty.	FHZ 320 Series FILTER 320 1 - 2 - 3 - 4	
1	Complete filter	1	See order table	
2	Filter element	1	See order table	
3	Seal kits	1	NBR 02050416	FPM 02050417
3a	O-Ring for filter element	1	OR 144 Ø 33.69 x 3.53	
3b	O-Ring for housing	2	OR 3350 Ø 88.57 x 2.62	
3c	Anti-extrusion ring	2	Parbak 153 Ø 89.36 x 2.18	
3d	Gasket	1	01030058 (HNBR)	01030046 (FPM)
3e	O-Ring	1	OR 2050 Ø 12.42 x 1.78	
3f	Protection seal	1	01026510	
3g	Oil drain plug	1	G 3/8" with seal	
4	Indicator plug	1	T2H	T2V
-	Indicator	1	See order table	

Filter assembly

FHZ320

Example: FHZ320

1	2	3	4	5	6 a
<input type="checkbox"/>	<input type="checkbox"/>	<input type="checkbox"/>	<input type="checkbox"/>	<input type="checkbox"/>	<input type="checkbox"/>
4	A	G1	A10	S	P01

Filter element

HP 320

Example: HP320

1	4	2	5	6 b
<input type="checkbox"/>	<input type="checkbox"/>	<input type="checkbox"/>	<input type="checkbox"/>	<input type="checkbox"/>
4	A10	A	S	Pxx

1 - Filter length

1
2
3
4

2 - Seals

A	NBR
V	FPM

3 - Connections

G1	G 1 1/4"
G2	1 1/4" NPT
G3	SAE 20 (1 5/8" 12 UN)
F1	1 1/2" SAE 6000 PSI - M
F2	1 1/2" SAE 6000 PSI - UNC

4 - Filter elements

A03	Inorganic microfibre 3 µ	} βx (c) ≥ 1000 See page 10
A06	Inorganic microfibre 6 µ	
A10	Inorganic microfibre 10 µ	
A16	Inorganic microfibre 16 µ	
A25	Inorganic microfibre 25 µ	
T10	Stainless steel mesh 25 µ (style H only)	

5 - Filter elements differential pressure

H	210 bar
S	210 bar

6 - Options

a) Filter

P01	MP Filtri standard
P02	MP maintenance from housing base (only for length 4)
Pxx	Customer request

b) Filter element

P01	MP Filtri standard
Pxx	Customer request

DIFFERENTIAL INDICATORS (see page 15)

MP Filtri - The filter functions as described in this bulletin are valid exclusively for original MP Filtri filter elements and replacement parts. All rights reserved

The data in this publication is marketing information. MP Filtri reserves the right to make changes to the product described herein at any time it deems fit in relation to technical or commercial requirements. The colors of the products shown on the cover are for illustration purposes only. Copyright. All rights reserved.